

REVERONE
Classic

The windows and French doors ReverOne swing are the ideal solution for any style of home, both classic and modern. The possibility of choosing two different colors, one for the front and one for the internal and external, thus adapting to any room of the house, makes them unique in style. But to make them unique is above all their particular structure consisting of an inner side in wood, which retains heat and gives and enhances the beauty of the surrounding environment, and from an outer side in aluminum, in order to enable a long life and personalize with countless finishes.

Classic Line

Classic and elegant style furnished with accessories which enhance the room. The window REVER-ONE design minimal offers classic design and excellent comfort combined with high-quality technology:

- More light through large-scale glazings
- Narrow frame
- Easy operation of sash up to 120 kg sash weight
- Energy efficient and heating cost saving
- No tripping hazard due to low threshold height
- Attractive colours for individual design requests
- Better stability due to glass fibre low threshold
- Toughened panes protect from injuries when glass breakages
- Can be perfectly combined with all other REVER-AL and REVER-ONE window and sliding systems by G&G

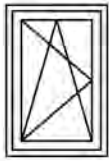


Classic 1

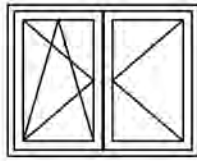


Classic 2

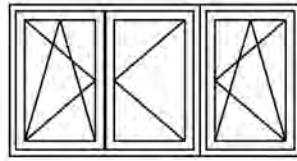
REVERONE



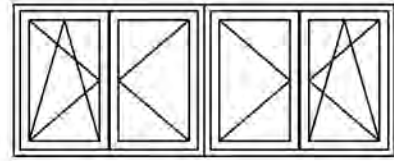
Window-Balcony
1 door with flap
door



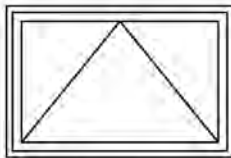
Window-Balcony
2 doors with flap
door



Window-Balcony
3 doors with flap
door



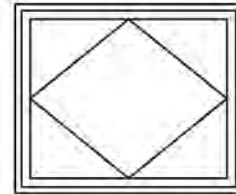
Window-Balcony
4 doors with flap
door



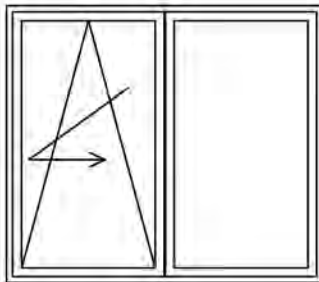
Wasistas



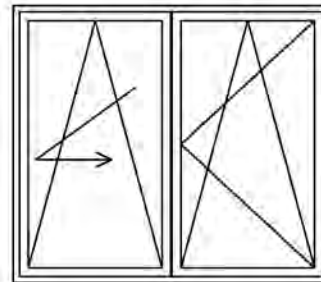
Fix



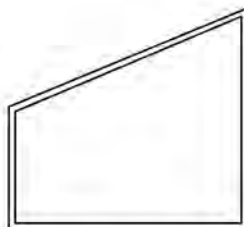
Bascule window



Sliding 1 door



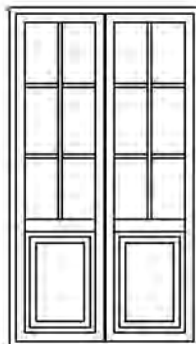
Sliding 2 doors



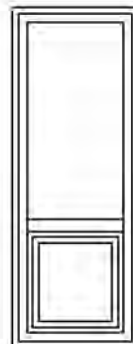
Out of square



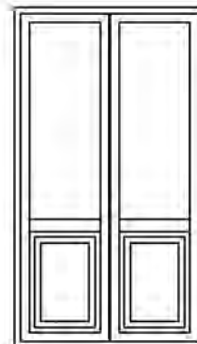
Balcony 1 door
with lower boss
and inglesina
outside glass



Balcony 2 doors
with lower boss
and inglesina
outside glass

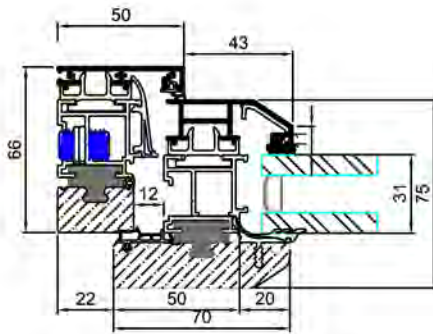


Balcony 1 door
with lower boss

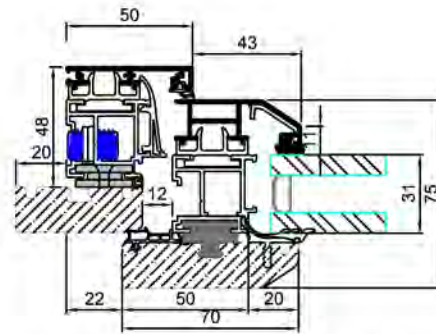


Balcony 2 doors
with lower boss

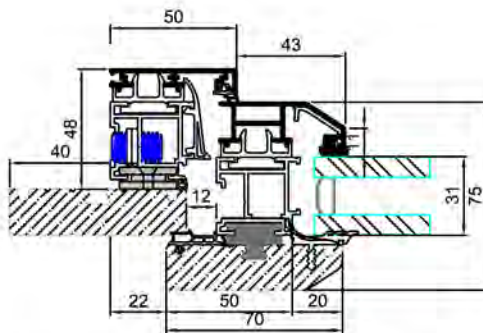
EXTERNAL



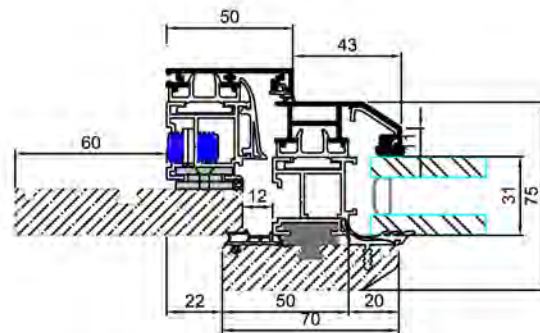
LATERAL NODE TLMC + A3M
 Double glazing 33.1-18-33.1
 low emissive with argon gas



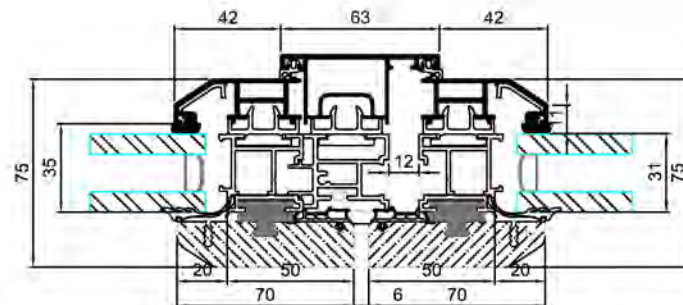
LATERAL NODE TZ20MC+A3M
 Double glazing 33.1-18-33.1
 low emissive with argon gas



LATERAL NODE TZ40MC+A3M
 Double glazing 33.1-18-33.1
 low emissive with argon gas



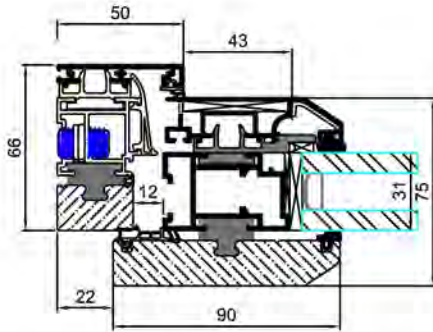
LATERAL NODE TZ60MC+A3M
 Double glazing 33.1-18-33.1
 low emissive with argon gas



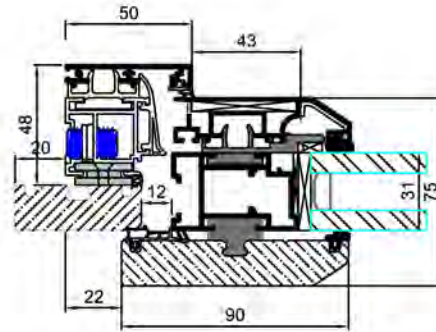
CENTRAL NODE
 Double glazing 33.1-18-33.1
 low emissive with argon gas

INTERNAL

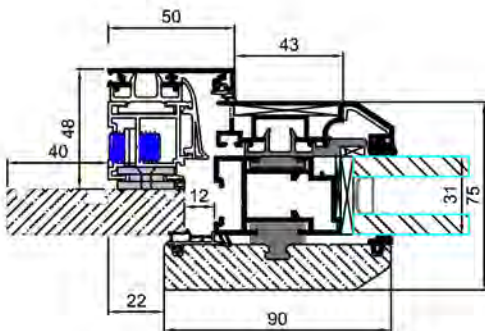
EXTERNAL



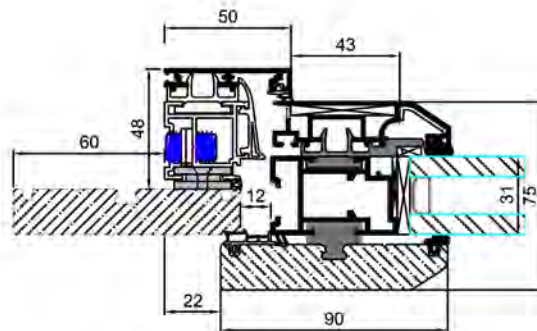
LATERAL NODE TLMC + A3
Double glazing 33.1-18-33.1
low emissive with argon gas



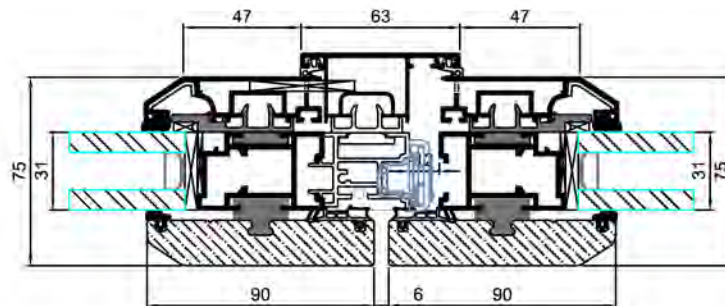
LATERAL NODE TZ20MC+A3
Double glazing 33.1-18-33.1
low emissive with argon gas



LATERAL NODE TZ40MC+A3
Double glazing 33.1-18-33.1
low emissive with argon gas



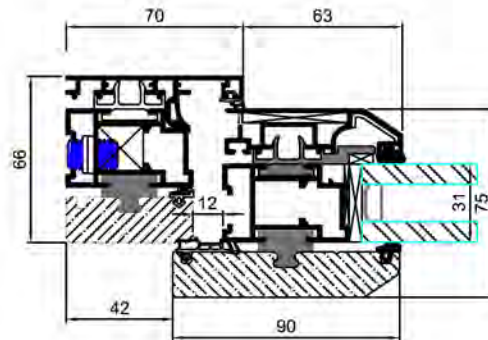
LATERAL NODE TZ60MC+A3
Double glazing 33.1-18-33.1
low emissive with argon gas



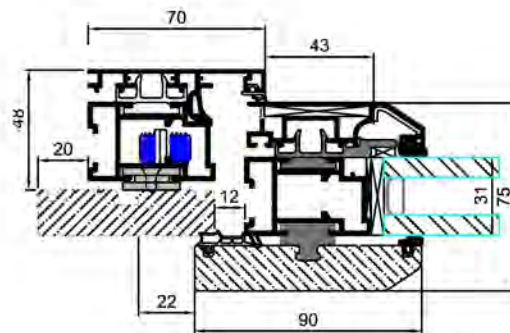
CENTRAL NODE
Double glazing 33.1-18-33.1
low emissive with argon gas

INTERNAL

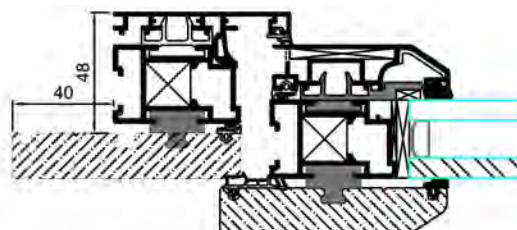
EXTERNAL



LATERAL NODE TLC+A3
Double glazing 33.1-18-33.1
low emissive with argon gas



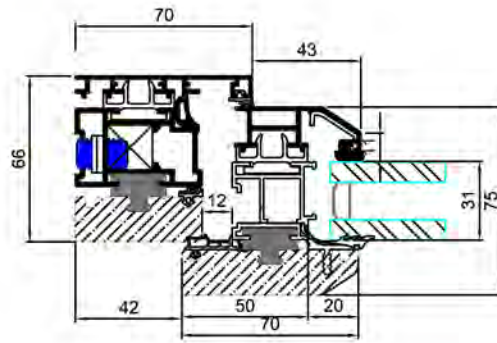
LATERAL NODE TZ20C+A3
Double glazing 33.1-18-33.1
low emissive with argon gas



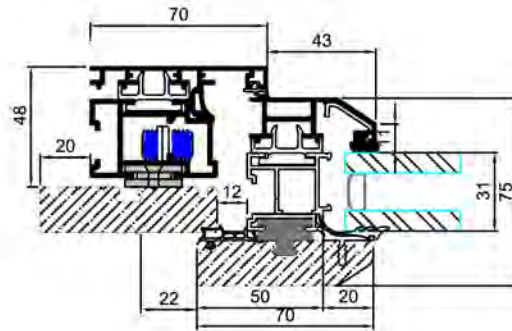
LATERAL NODE TZ40C+A3
Double glazing 33.1-18-33.1
low emissive with argon gas

INTERNAL

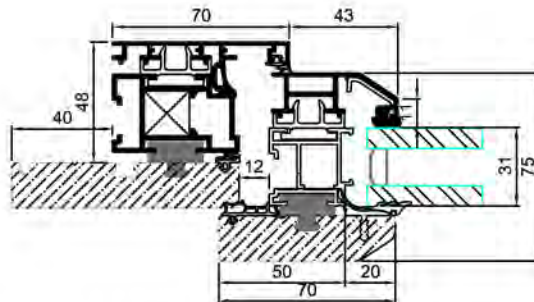
EXTERNAL



LATERAL NODE TLC+A3M
Double glazing 33.1-18-33.1
low emissive with argon gas

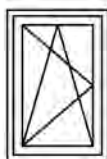


LATERAL NODE TZ20C+A3M
Double glazing 33.1-18-33.1
low emissive with argon gas

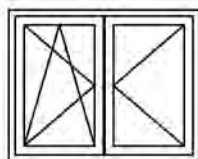


LATERAL NODE TZ40C + A3M
Double glazing 33.1-18-33.1
low emissive with argon gas

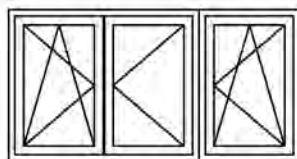
INTERNAL



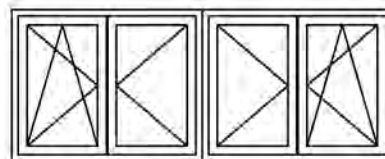
Window-Balcony
1 door with flap
door



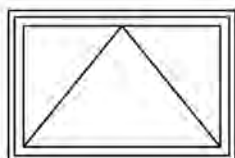
Window-Balcony
2 doors with flap
door



Window-Balcony
3 doors with flap
door



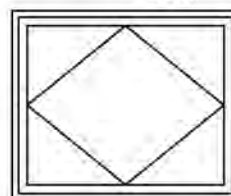
Window-Balcony
4 doors with flap
door



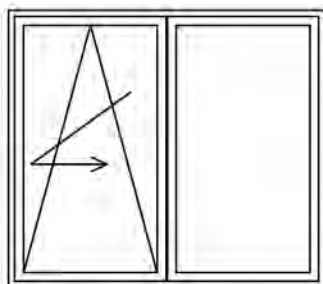
Wasistas



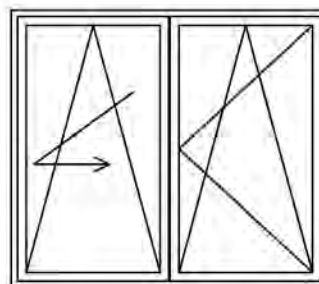
Fix



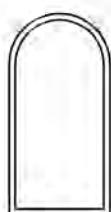
Bascule window



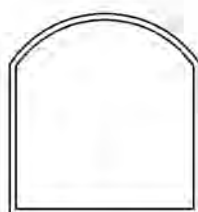
Sliding 1 door



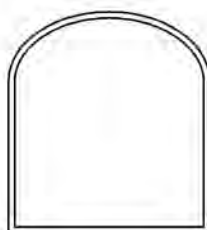
Sliding 2 doors



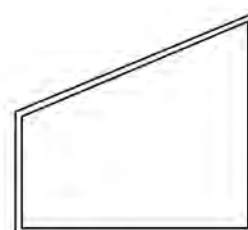
All sixth



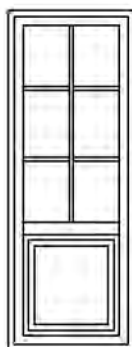
Lowered arch



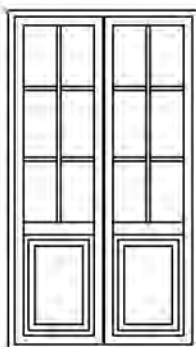
Elliptical arch



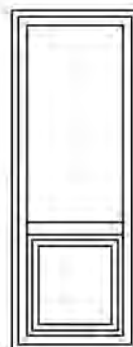
Out of square



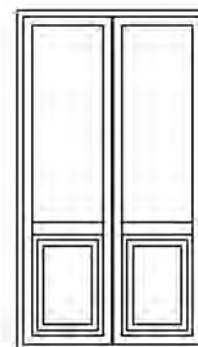
Balcony 1 door
with lower boss
and inglesina
outside glass



Balcony 2 doors
with lower boss
and inglesina
outside glass

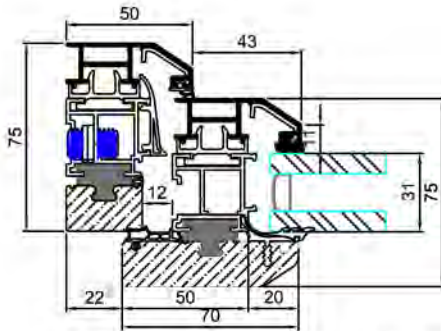


Balcony 1 door
with lower boss

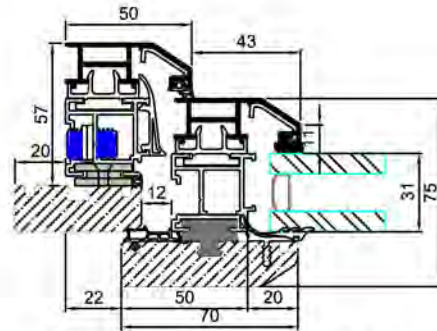


Balcony 2 doors
with lower boss

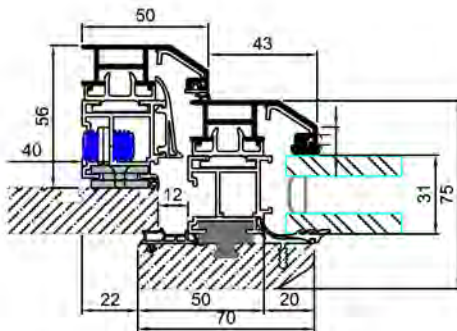
EXTERNAL



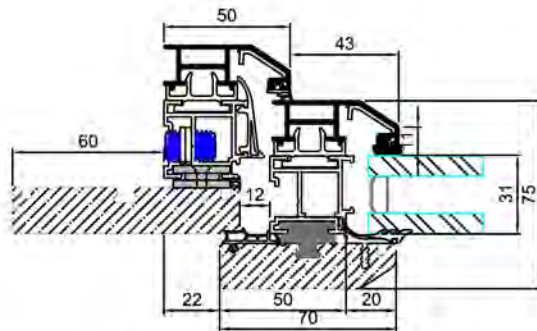
LATERAL NODE TLM + A3M
Double glazing 33.1-18-33.1
low emissive with argon gas



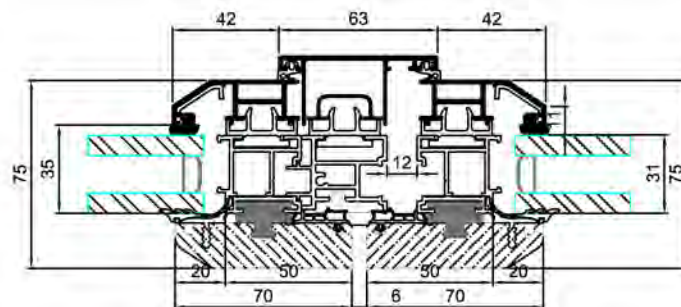
LATERAL NODE T20+A3M
Double glazing 33.1-18-33.1
low emissive with argon gas



LATERAL NODE T40+A3M
Double glazing 33.1-18-33.1
low emissive with argon gas



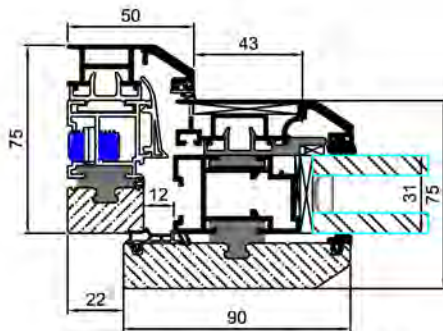
LATERAL NODE T60+A3M
Double glazing 33.1-18-33.1
low emissive with argon gas



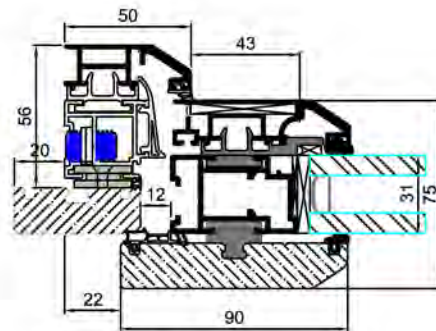
CENTRAL NODE
Double glazing 33.1-18-33.1
low emissive with argon gas

INTERNAL

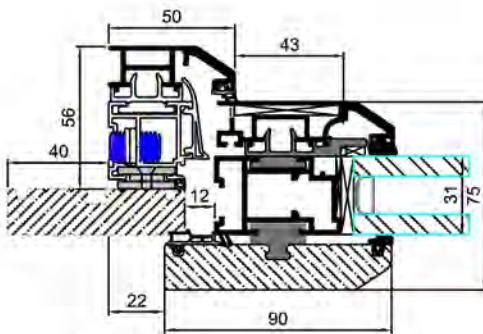
EXTERNAL



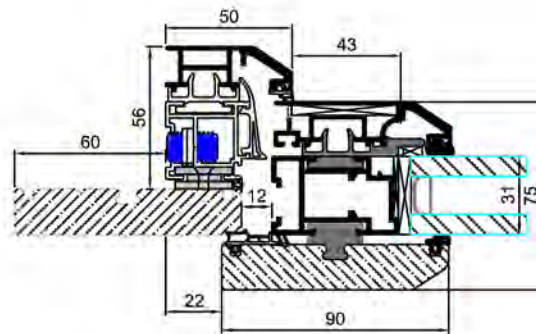
LATERAL NODE TLM + A3
Double glazing 33.1-18-33.1
low emissive with argon gas



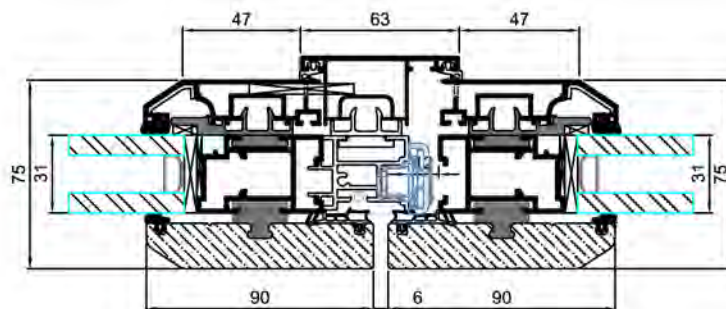
LATERAL NODE TZM20+A3
Double glazing 33.1-18-33.1
low emissive with argon gas



LATERAL NODE TZM40+A3
Double glazing 33.1-18-33.1
low emissive with argon gas



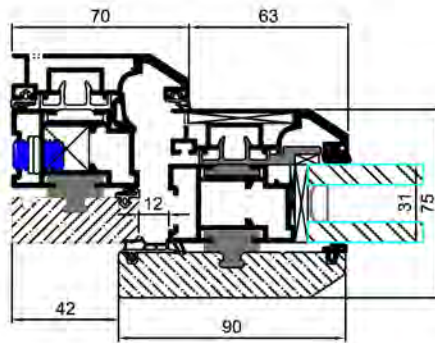
LATERAL NODE TZM60+A3
Double glazing 33.1-18-33.1
low emissive with argon gas



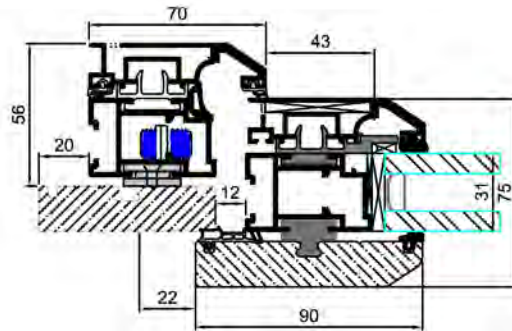
CENTRAL NODE
Double glazing 33.1-18-33.1
low emissive with argon gas

INTERNAL

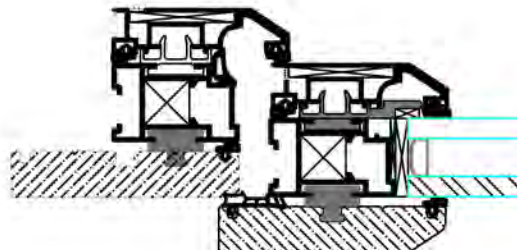
EXTERNAL



LATERAL NODE TL+A3
Double glazing 33.1-18-33.1
low emissive with argon gas



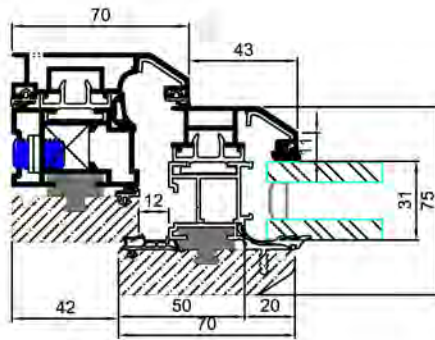
LATERAL NODE TZ20+A3
Double glazing 33.1-18-33.1
low emissive with argon gas



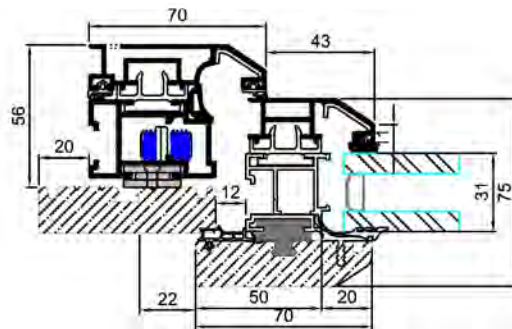
LATERAL NODE TZ40 + A3
Double glazing 33.1-18-33.1
low emissive with argon gas

INTERNAL

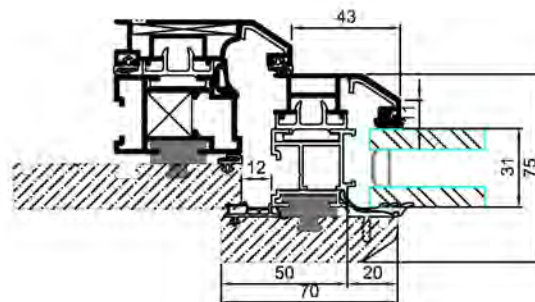
EXTERNAL



LATERAL NODE TL+A3M
Double glazing 33.1-18-33.1
low emissive with argon gas



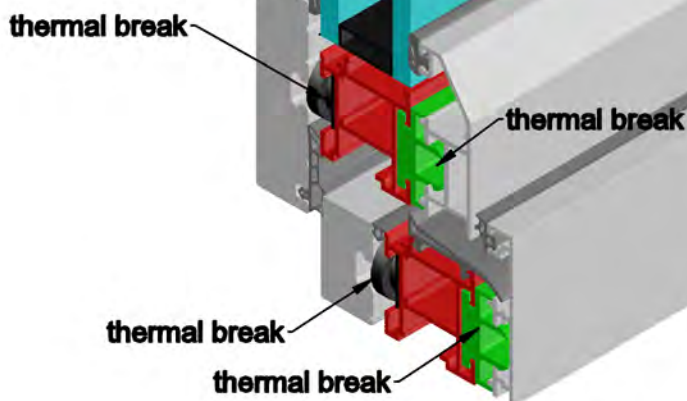
LATERAL NODE TZ20+A3M
Double glazing 33.1-18-33.1
low emissive with argon gas



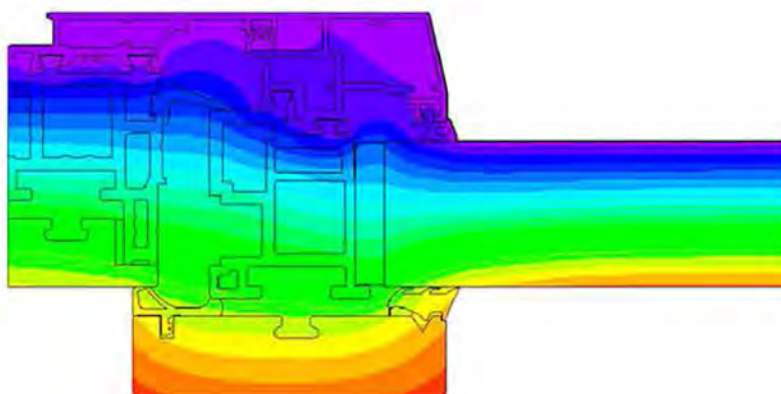
LATERAL NODE TZ40+A3M
Double glazing 33.1-18-33.1
low emissive with argon gas

INTERNAL

Internal
view



External
view



Uw till 1.1



WINDOW RIGHT FOR
PASSIVE HOUSES



PRODUCTION SITE

**S.P. 92, Trepuzzi - Surbo
73019 - Trepuzzi (Le)
Italy**

**+39 0832 79 42 26
info@g-and-g.it**

SHOWROOM

**S.S. 7 Ter - Via Lecce
73012 - Campi Salentina (Le)
Italy**

**+39 379 17 26 546
info@infissistore.it**

www.g-and-g.it